

Holman Model T714H Conveyor Toaster

PART#	QTY	PAGE # / ILL. #		DESCRIPTION
5230	2	13	G	Infinity Switch 208V - 240V
3040	2	13	G	Knob, Heat Control
7851	4	14	H	Heater Tube,T714 208V 3.6Kw
7845	4	14	H	Heater Tube 208V 3.2Kw
200542	1	13	G	Limit Switch, 190F
15203	1	12	C	Conveyor Belt, T714(H)
15324	1	12	C	Conveyor Belt, T714W, 714TW, TX714
15159	4	14	H	Heater Tube Retainers
15150	1	12	D	Drive Chain (Specify Model)
15152	1	12	D	Drive/Driven Sprocket Set W/Chain (Specify Model)
15201	1	12	C	Idler Shaft T714
15202	1	12	C	Drive Shaft T714
15158	4	12	D	Bearing 5/16 I.D.
15127	1	12	E	Drive Motor 208-240V

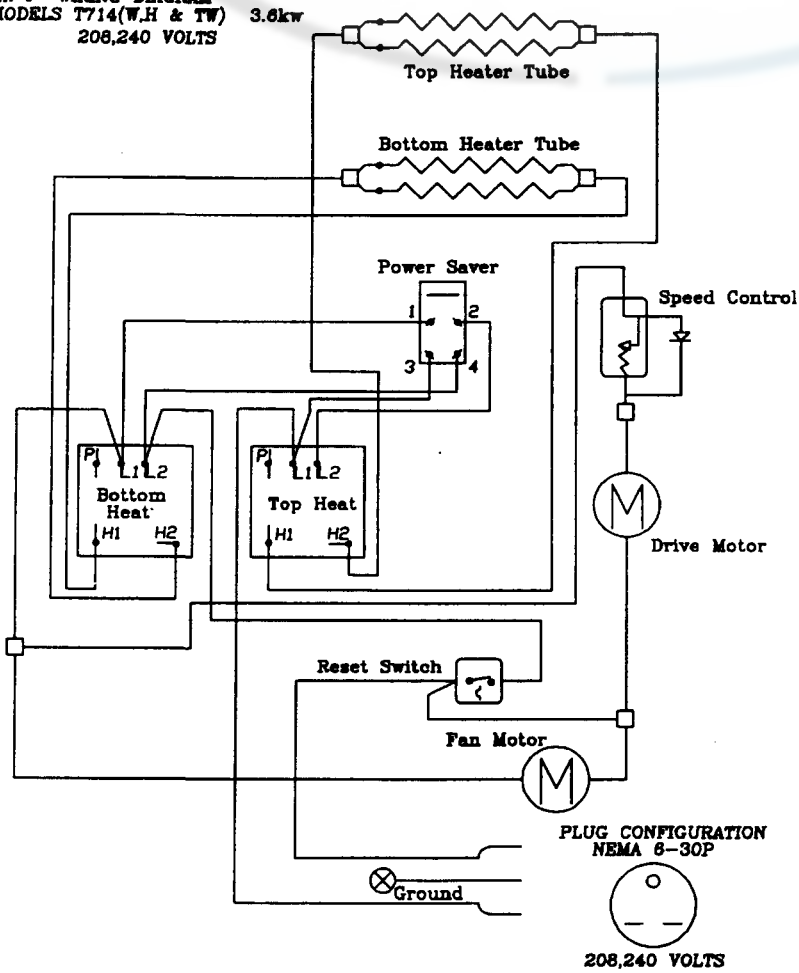
Holman Model T714H Conveyor Toaster

<u>PART#</u>	<u>QTY</u>	<u>PAGE#</u>	<u>/ILL.#</u>	<u>DESCRIPTION</u>
15069	1	12	E	Drive Motor 220V 50Hz
3130	1	13	G	Knob, Speed Control
5054	1	12	E	Drive Motor 120V
15090	1	13	G	Fan Motor 208-240V
15099	1	13	G	Fan Motor 220V 50Hz
15074	1	13	G	Fan Blade 5"
8000	1	13	G	Speed Control 120V
8040	1	13	G	Speed Control 208-240
15151	1	13	G	Fan Motor 120V
15200	1	13	G	Fan Guard Assembly
15198	1	11	A	Crumb Tray T714
15321	1	11	A	Crumb Tray T714W, 714TW
5250	1	13	F	Power Saver Switch (Toggle)
15359	1	13	F	Power Saver Switch (Rotary)
15206	1	15		Cord/Plug Set T714 208-240V 3.2Kw
15253	1	15A		Cord/Plug Set T714 208-240V 3.6Kw

Holman Model T714H Conveyor Toaster

OPERATOR'S MANUAL
HOLMAN CONVEYOR TOASTERS
MODELS T714(WH & TW)

III. J WIRING DIAGRAM
MODELS T714(W.H & TW)
208,240 VOLTS



REVISED 7-25-92 RDD