

## Replacement Gasket Questionnaire

Bill to Company Name: \_\_\_\_\_


Contact Name: \_\_\_\_\_ E-mail: \_\_\_\_\_

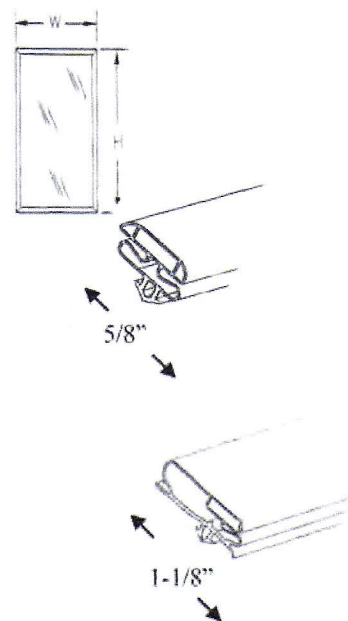
Phone #: \_\_\_\_\_ Ext.: \_\_\_\_\_ Fax: \_\_\_\_\_

**\* Is the gasket you are replacing on the  Door or on the  Frame?**

### Door Gasket Replacement

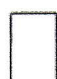
• If replacing a door gasket, please complete the following:

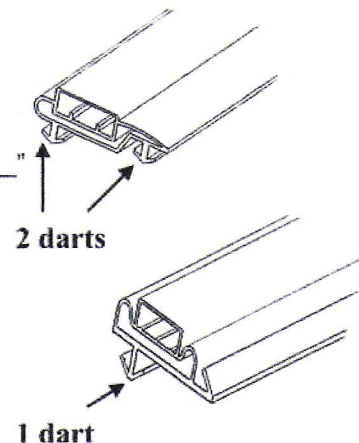
1. Anthony Door W/O #: \_\_\_\_\_  
(May be on a label on top/bottom of the door.)
2. Outside dimensions of the door: Width \_\_\_\_\_" \_\_\_\_\_" X Height \_\_\_\_\_" \_\_\_\_\_"  
(The height and width of the door needs to be measured to the closest 1/16 of an inch. Example: 29 7/8" x 65 1/16")
3. Manufacturer of case: \_\_\_\_\_
4. Model of Door: \_\_\_\_\_
5. Date the Door was manufactured: \_\_\_\_\_  
(This information may be found between the panes of glass on the metal spacer or on the door label.)
6. What is the width of the gasket material?  5/8"  1 1/8"
7. Is the gasket 3 or 4 sided? \_\_\_\_\_ 
8. What is the gasket color?  Grey  Black
9. ANTHONY Outside Mount Doors (AOM), 6000, 6001, 601B, 216X
  - Specify gasket location on the door rail:  INBOARD  OUTBOARD  
(Inboard gasket is mounted closer to the glass. Outboard gasket is mounted at the outer edge of the door rail.)



### Frame Gasket Replacement for Model's 1000, 1001, 1003, 1KDB, 1KD3

• If replacing a frame gasket, please complete the following:

1. Anthony Frame W/O #: \_\_\_\_\_  
(This information can be found on a label located on the last door opening of the frame.)
2. What are the outside dimensions of the door? Width \_\_\_\_\_" \_\_\_\_\_" x Height \_\_\_\_\_" \_\_\_\_\_"  
(The height and width of the door needs to be measured to the closest 1/16 of an inch.)
3. How many darts does your gasket have?  1 dart  2 darts  
(To identify the darts, you have to inspect the back side of the gasket.)
4. Is the gasket 3 sided?   Yes  No  
(This is only for pass-thru doors.)
  - a. Pass Thru-Doors: Where are the hinges located?  Left  Right



Fax 562-925-8226  
E-mail: Sales@D-Lefts.com